

RESONON

PIKA L HYPERSPECTRAL CAMERA



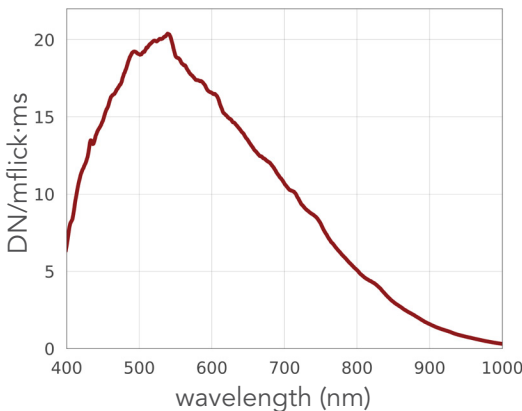
The Pika L is a lightweight and compact hyperspectral camera for the Visible and Near-Infrared (VNIR) spectral range (400 – 1000 nm), making it well suited for airborne remote sensing applications.

The Pika L can be used in our **airborne**, **laboratory**, and **outdoor** hyperspectral systems, as well as standalone or integrated into your system with our **programming guidance document**.

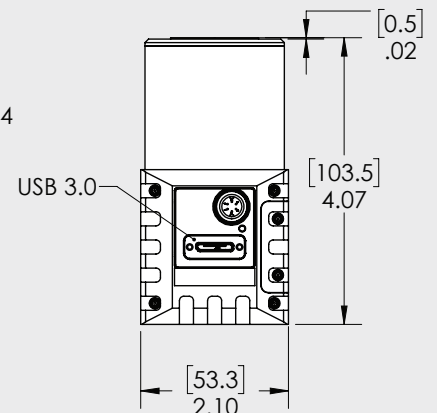
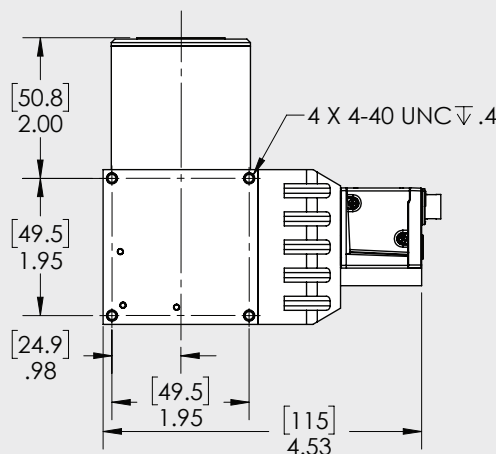
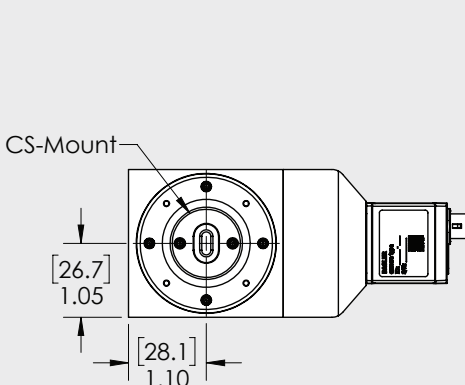
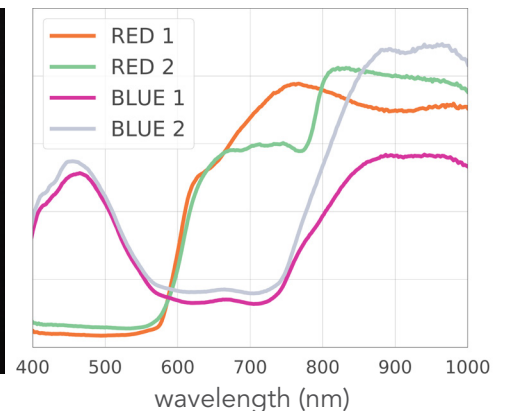
FEATURES

- Spectral Range: 400 – 1000 nm
- 900 Spatial Pixels Per Line
- 281 Spectral Channels Per Line
- Lightweight and Compact (0.7 kg with lens)

SPECTRAL RESPONSE



ACTUAL DATA



PIKA L SPECIFICATIONS

OPTICAL

Spectral Range	400 - 1000 nm
Spectral Bands	281
Spatial Channels	900
Spectral Resolution (FWHM)	2.7 nm
Field of View Options	4°, 6°, 12°, 13°, 18°, 25°, 37°, 47°
f/# (at default objective lens aperture)	2.4
Pixel Size	5.86 μm
Slit Width	12 μm
Spectral Sampling per Pixel	1.07 nm
Spectrometer Magnification	0.91

DATA

Maximum Frame Rate	249 fps
Bit Depth	12
Spectral Binning: default / all options	2 / 2-10
Spatial Binning: default / all options	1 / 1-10
Pixel Well Depth	32.7 ke-
Peak SNR (with default binning, higher with more binning)	255
Software Development Kit	Yes

PHYSICAL / ENVIRONMENTAL

Dimensions	115 x 104 x 66 mm
Weight	0.64 kg
Objective Lens Mount	C-mount
Data and Power Interface	USB 3.0
Sensor Type	CMOS
Sensor Cooling	Passive
Power Consumption	3.4 W (via USB)
Operating Temperature (non-condensing)	0 to +50 C
Recommended Temperature (non-condensing)	+5 to +40 C