

RESONON

PIKA IR-L HYPERSPECTRAL CAMERA

The Pika IR-L is a lightweight and compact hyperspectral camera for the Near-Infrared (NIR) spectral range (925 – 1700 nm). The small size and mass make it well suited for airborne remote sensing applications, where it can provide contrast of outdoor features that are invisible to the naked-eye.

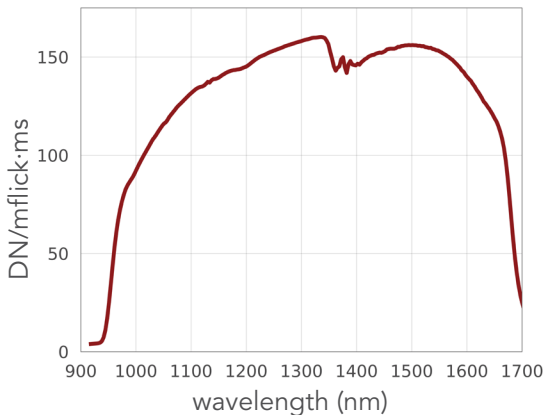
The Pika IR-L can be used in our **airborne**, **laboratory**, and **outdoor** hyperspectral systems, as well as standalone or integrated into your system with our **programming guidance document**.

FEATURES

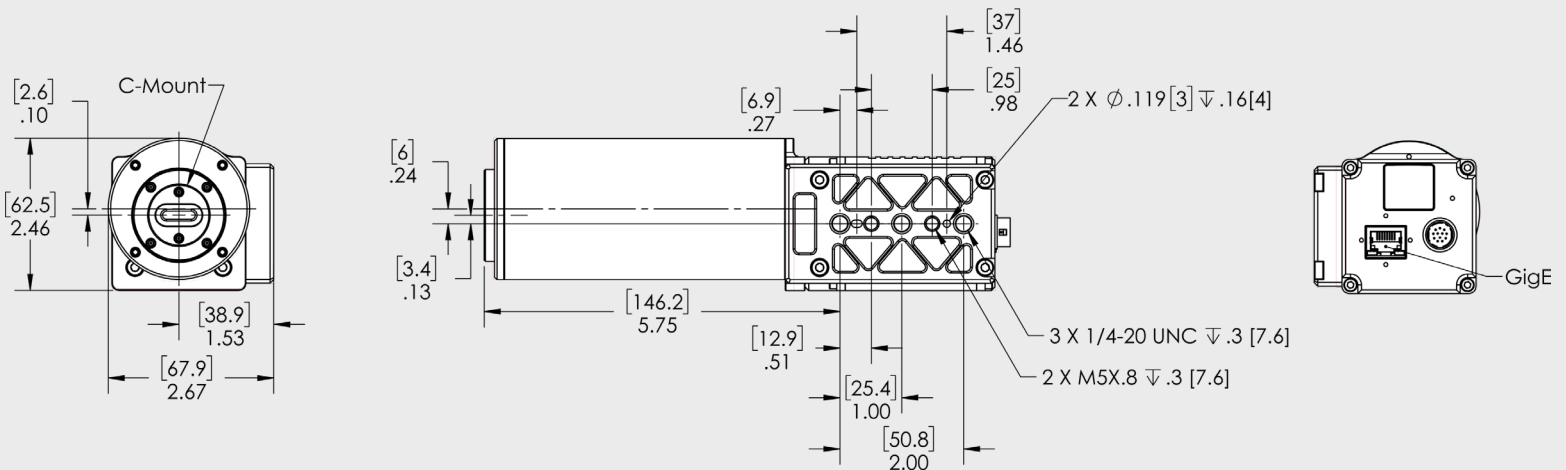
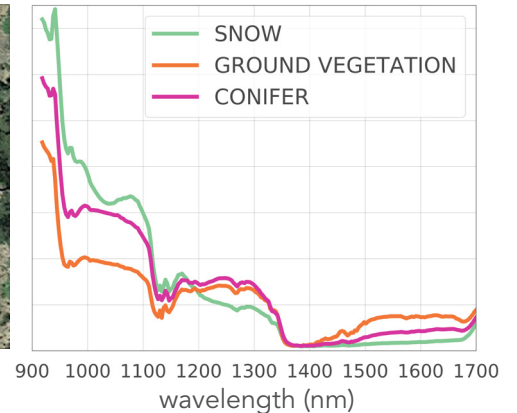
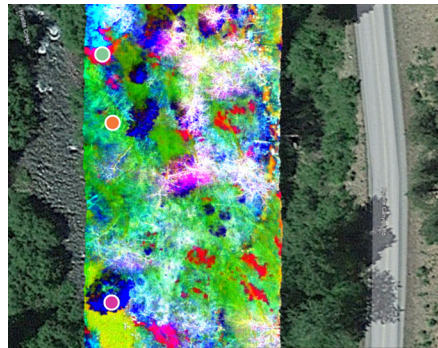
- Spectral Range: 925 – 1700 nm
- 320 Spatial Pixels Per Line
- 236 Spectral Channels Per Line
- High Speed (364 fps max.)



SPECTRAL RESPONSE



ACTUAL DATA



PIKA IR-L SPECIFICATIONS

OPTICAL

Spectral Range	925 - 1700 nm
Spectral Bands	236
Spatial Channels	320
Spectral Resolution (FWHM)	5.9 nm
Field of View Options	5°, 7°, 11°, 22°, 33°, 62°, 77°
f/# (at default objective lens aperture)	1.8
Pixel Size	30 µm
Slit Width	30 µm
Spectral Sampling per Pixel	3.28 nm
Spectrometer Magnification	1.0

DATA

Maximum Frame Rate	364 fps
Bit Depth	14
Spectral Binning: default / all options	1 / 1-10
Spatial Binning: default / all options	1 / 1-10
Pixel Well Depth	2.5 Me-
Peak SNR (with default binning, higher with more binning)	1581
Software Development Kit	Yes

PHYSICAL / ENVIRONMENTAL

Dimensions	210 x 68 x 63 mm
Weight (without objective lens)	1.01 kg
Objective Lens Mount	C-mount
Data Interface	GigE
Sensor Type	InGaAs
Sensor Cooling	TEC
Power Requirements (from provided power supply)	10.8W @12 VDC
Operating Temperature (non-condensing)	-20 to +50 C
Recommended Temperature (non-condensing)	+5 to +40 C