

RESONON

PIKA UV HYPERSENSPECTRAL CAMERA



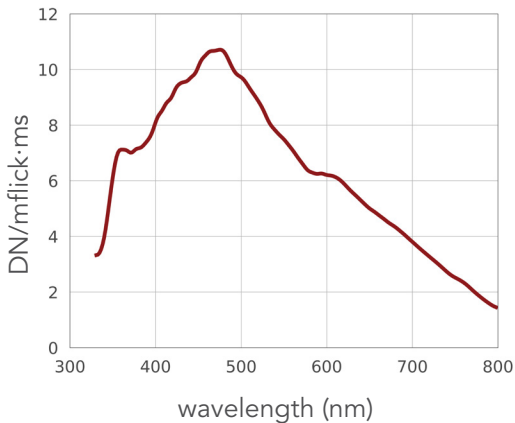
The Pika UV is a hyperspectral camera for the Near-Ultraviolet and Visible (NUV) spectral range (330 - 800 nm). This spectral range enables applications in entomology, ornithology, and botanical science.

The Pika UV can be used in our **airborne**, **laboratory**, and **outdoor** hyperspectral systems, as well as standalone or integrated into your system with our **programming guidance document**.

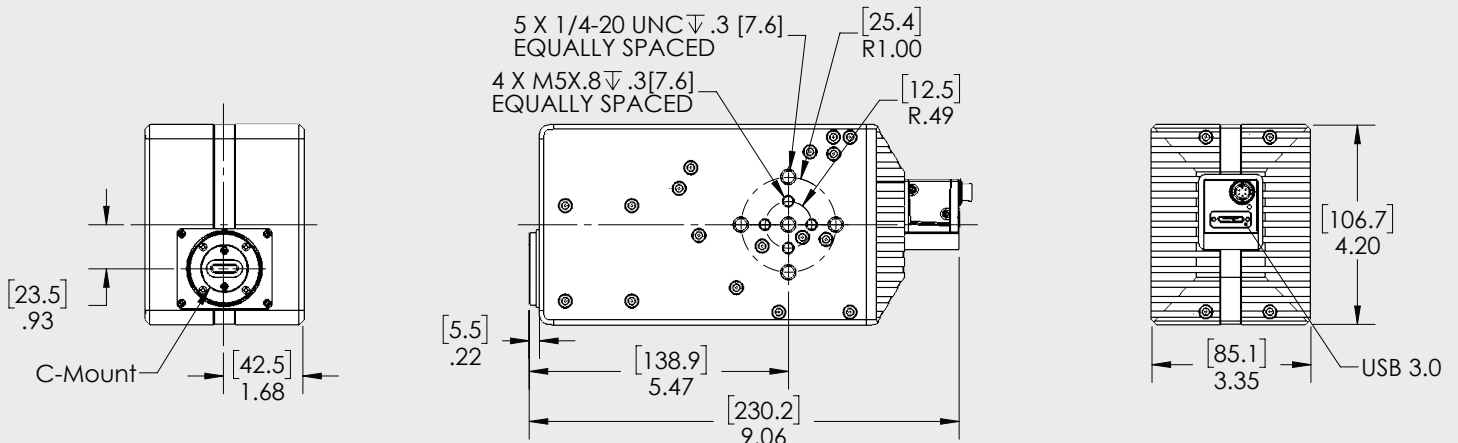
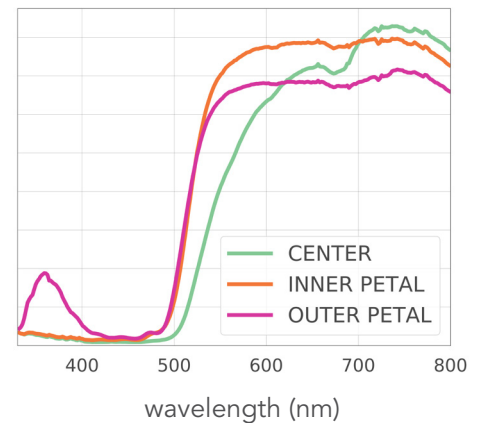
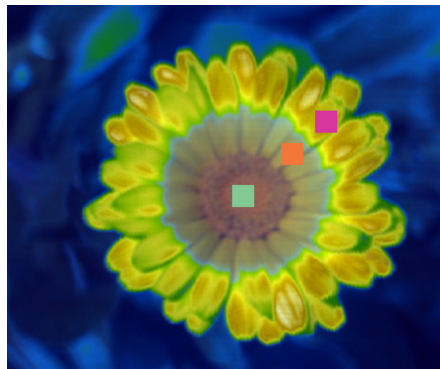
FEATURES

- Spectral Range: 330 – 800 nm
- 1500 Spatial Pixels Per Line
- 255 Spectral Channels Per Line

SPECTRAL RESPONSE



ACTUAL DATA



PIKA UV SPECIFICATIONS

OPTICAL

Spectral Range	330 - 800 nm
Spectral Bands	255
Spatial Channels	1500
Spectral Resolution (FWHM)	2.8 nm
Field of View Options	8°, 21°
f/# (at default objective lens aperture)	2.8
Pixel Size	5.86 µm
Slit Width	24 µm
Spectral Sampling per Pixel	0.46 nm
Spectrometer Magnification	0.92

DATA

Maximum Frame Rate	142 fps
Bit Depth	12
Spectral Binning: default / all options	4 / 4-10
Spatial Binning: default / all options	1 / 1-10
Pixel Well Depth	32.7 ke-
Peak SNR (with default binning, higher with more binning)	361
Software Development Kit	Yes

PHYSICAL / ENVIRONMENTAL

Dimensions	230 x 107 x 85 mm
Weight (without objective lens)	2.27 kg
Objective Lens Mount	C-mount
Data and Power Interface	USB 3.0
Sensor Type	CMOS
Sensor Cooling	Passive
Power Consumption	3.4 W (via USB)
Operating Temperature (non-condensing)	0 to +50 C
Recommended Temperature (non-condensing)	+5 to +40 C